

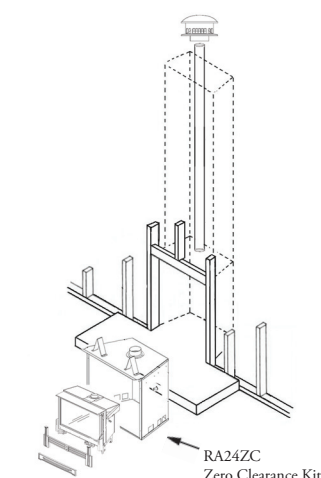
Upgrade the design and efficiency of your existing fireplace

RETROFIRE COMPONENTS

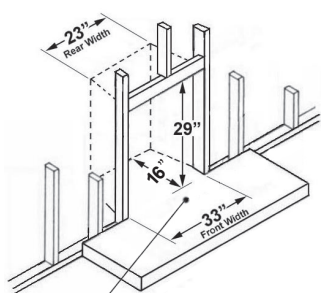
ENGINES	RF24XBN	Retrofire - B-Vent - Natural Gas
	RF24XBP	Retrofire - B-Vent - Propane
	RF24IDN	Retrofire - Direct Vent - Natural Gas
	RF24IDP	Retrofire - Direct Vent - Propane
FRETS	RA24AV	Avant-Garde Fender - Vintage Iron
	RA24CV	Contemporary Fender - Vintage Iron
	RA24TB	Traditional Fender - Black
ACCESSORIES	1225VFB	Ventana Fret - Black
	RA24ZC	Retrofire Zero Clearance Kit (B-vent model only)
	RA24DS	Draw Screen
	RA24FS	Fixed Screen
	743FVI	FenderFire Double Door Front
	744FVI	FenderFire Single Door Front
	715CVI	Cast Surround
	746CTK	3 Sided Contour Trim - Black
	746VIK	3 Sided Contour Trim - Vintage Iron
	747DTK	3 Sided Deluxe Trim - Black
	747VIK	3 Sided Deluxe Trim - Vintage Iron
	748CTK	4 Sided Contour Trim - Black
	748VIK	4 Sided Contour Trim - Vintage Iron
749DTK	4 Sided Deluxe Trim - Black	
749VIK	4 Sided Deluxe Trim - Vintage Iron	
750OCP	Oversized Closure Kit - Black	
750OVI	Oversized Closure Kit - Vintage Iron	
751LTK	Lift Trim Kit	
752BTK	Base Trim Kit	
555CFK	Circulating Fan Kit - optional	
1265WSK	Wall Switch Kit - optional (direct vent model only)	

NEW CONSTRUCTION

B-Vent Zero Clearance Installation Using New/Existing B-Vent

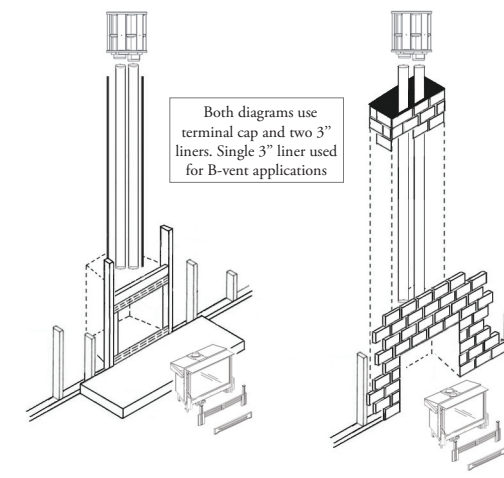


MIN. FRAMING DIMENSIONS (For Retrofire Zero Clearance Kit)

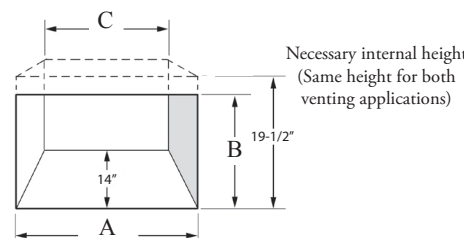


EXISTING FIREPLACE OPENING

Wood Burning to Gas Upgrade of Existing Factory Built Fireplace



MIN. CAVITY REQUIREMENTS (Existing Fireplace)



Vent Type	A	B - Height to bottom of smoke curtain	C
Direct Vent	27"	17"	18"
B-Vent	29"	18"	20"

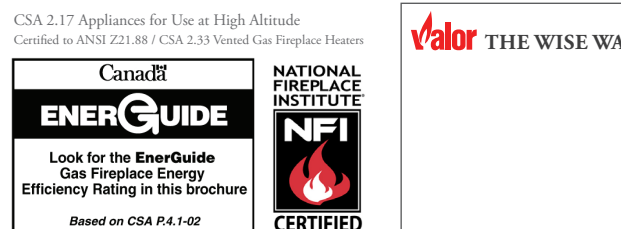
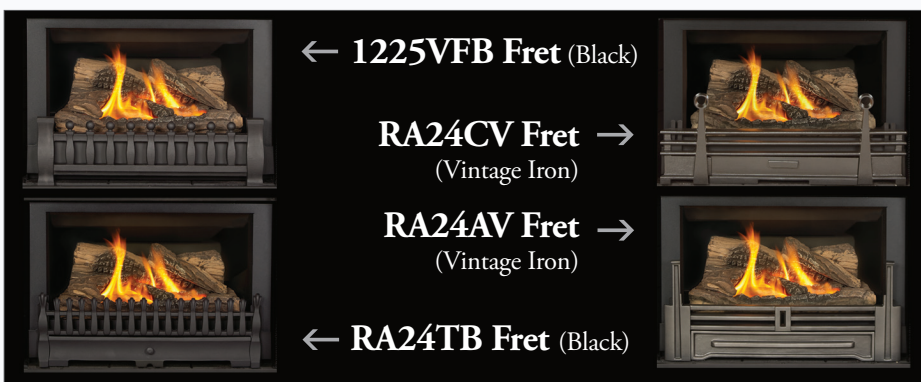
MODEL/FUEL

Model	Fuel	Max. Input BTU/hr	Min. Input BTU/hr	EnerGuide Rating P4.1	Steady State Efficiency (w/out fan)
RF24XBN	NG	20,500	12,500	54.2%	67.3%
RF24XBP	LP	19,000	12,500	54.2%	67.3%
RF24IDN	NG	24,000	10,500	58.8%	67.6%
RF24IDP	LP	24,000	10,500	58.8%	67.6%

Please Note: All product information is accurate at time of printing and is subject to change. Printed images may vary from actual product. Refer to the complete Retrofire product manual before installation.



DECORATIVE CAST IRON FRETS (OPTIONAL ACCESSORY)



INTRODUCING THE RETROFIRE

Now there's a quick and easy way to turn your existing fireplace into an energy efficient heat source.

Engineered to keep heat inside your home (and not up the chimney), the Retrofire insert is designed for installation within existing wood burning fireplaces.

Room sealed and vented outside, the direct vent Retrofire eliminates smoke, messy ashes and cold drafts.

RETROFIRE FEATURES

- Steady, radiant warmth
- Low operating costs
- No chimney heat loss
- Ambience of a real log fire
- Increased energy efficiency
- Easy to use programmable remote control
- Quick installation - installs within existing cavity (allows you to keep your existing hearth & mantel)
- Four optional fret accessories (see back page for images)

VALORSTAT PLUS REMOTE STANDARD WITH PURCHASE



The ValorStat Plus Remote gives you the power to select, adjust and program the desired temperature that you want.

Timer and thermostat mode help save energy and lower your home heating costs.

The ValorStat Plus also has the ability to turn your pilot light ON and OFF from the programmable remote control. *The ValorStat Plus is available with direct vent Retrofire models only.*

VALOR WALL SWITCH KIT (1265WSK INSTALLATION OPTIONAL)

Light the pilot and adjust flame height all from one standard size wall switch. *The 1265WSK works in conjunction with the ValorStat Plus direct vent model only.*



SCAN
QR CODE
WITH SMART PHONE
FOR FLAME VIDEO

WHAT MAKES THE RETROFIRE SO UNIQUE?

The Valor Retrofire is the most versatile, efficient gas fireplace upgrade for a variety of insert applications.

Specifically designed to “retro-fit” in masonry and factory-built wood burning fireplaces, the Retrofire can even accommodate arched or uneven facings.

Nestled within your existing fireplace opening, the Retrofire installs clean and does not require a front or trim for operation. Complete your fireplace with one of four optional frets (see spec page for fret images).

The Retrofire has been designed and tested to operate with existing fire screens (whether open or closed). Existing glass doors must be removed.



Installation in existing masonry wood burning fireplace cavity
Retrofire RF24IDN/P shown with 1225VFB Ventana Fret

RETROFIRE VS OPEN GAS LOGS

With an open gas log set the damper is always open, allowing heat loss up the chimney (consuming an average of three times as much gas). Constant demand for air inside the home results in unwanted cold drafts, making an open gas log set a highly inefficient, expensive “heat” source alternative.

In comparison, the direct vent Retrofire effectively heats using a sealed firebox, designed to stop cold air drafts from entering the home. Advanced burner technology efficiently distributes radiant warmth. In addition, firebox heat exchangers naturally re-circulate warm air, eliminating the need for a fan.